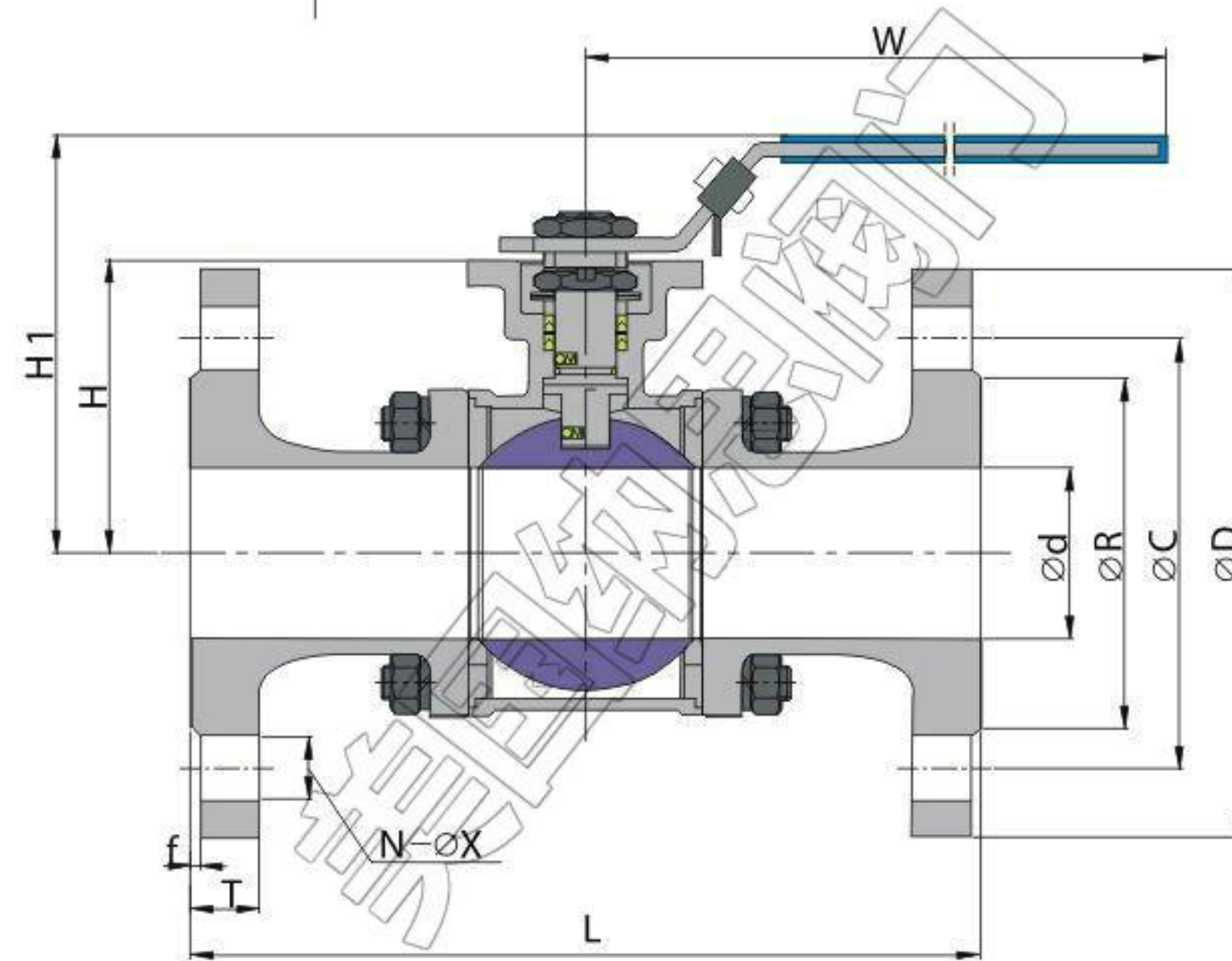
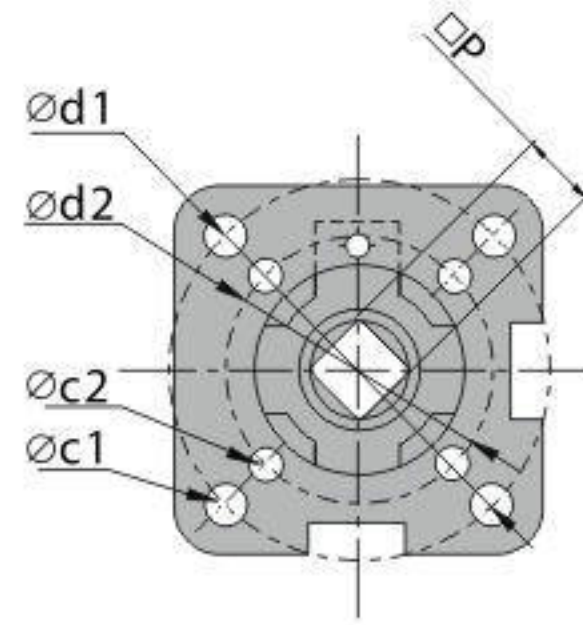


FEATURES:

- Anti-Static Devices For Ball- Stem- Body
- Blow-Out Proof Stem
- Pressure Balance Hole In Ball Slot
- Built In ISO 5211 Direct Mounting Pad For Easy Automation

STANDARDS:

- Design: ASME B16.34
- Wall Thickness: ASME B16.34
- Fire Safe: API 607/ISO 10497
- Face to Face: ASME B 16.10
- End Flange: ASME B16.5
- Inspection & Testing: API 598



Unit:mm ■ ASME 150LBS

Size	(LBS)	L	$\varnothing d$	$\varnothing R$	$\varnothing C$	$\varnothing D$	H	H1	E	T	f	N	$\varnothing X$	$\varnothing d1$	$\varnothing d2$	$\varnothing C1$	$\varnothing C2$	$\square P$	ISO-5211
1/2"	150	108	15	34.9	60.3	90	48.5	75.5	110	11.2	2	4	16	42	36	6	6	9	F03/F04
3/4"	150	117	20	42.9	69.9	100	53.5	80	110	11.2	2	4	16	42	36	6	6	9	F03/F04
1"	150	127	25	50.8	79.4	110	59	90	160	12	2	4	16	50	42	7	6	11	F04/F05
1-1/4"	150	140	32	63.5	88.9	115	71	102	160	12.7	2	4	16	50	42	7	6	11	F04/F05
1-1/2"	150	165	38	73	98.4	125	77.5	114	185	14.3	2	4	16	70	50	9	7	14	F05/F07
2"	150	178	50	92.1	120.7	150	85	121.5	185	15.9	2	4	19	70	50	9	7	14	F05/F07
2-1/2"	150	190	65	104.8	139.7	180	98	168	305	17.5	2	4	19	102	70	11	9	17	F07/F10
3"	150	203	78	127	152.4	180	110	178	305	19.1	2	4	19	102	70	11	9	17	F07/F10
4"	150	229	100	157.2	190.5	230	130	198	305	23.9	2	8	19	102	70	11	9	19	F07/F10
5"	150	356	125	185.7	215.9	255	165	234	500	23.9	2	8	22	125	102	14	12	22	F12/F14