

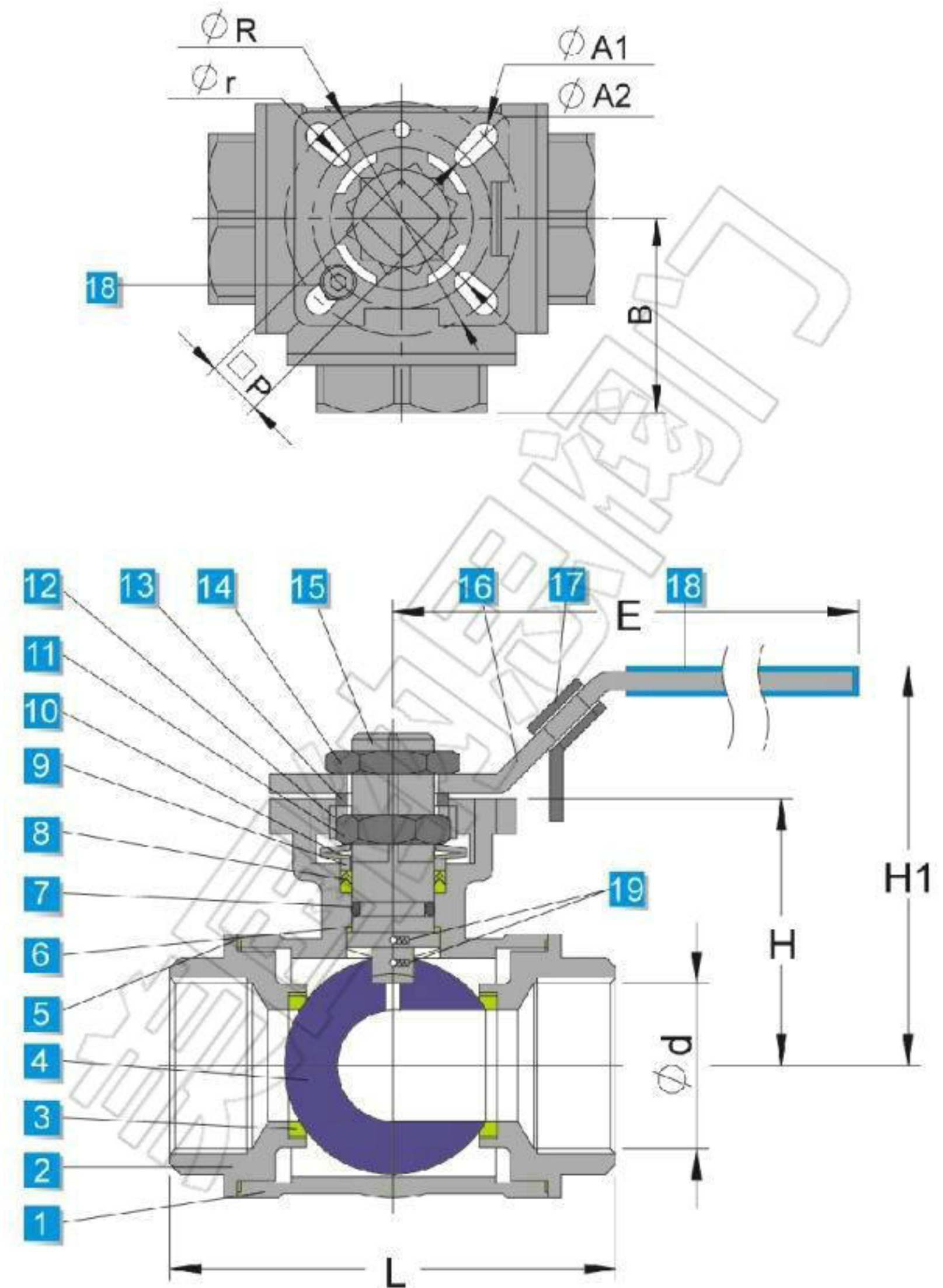
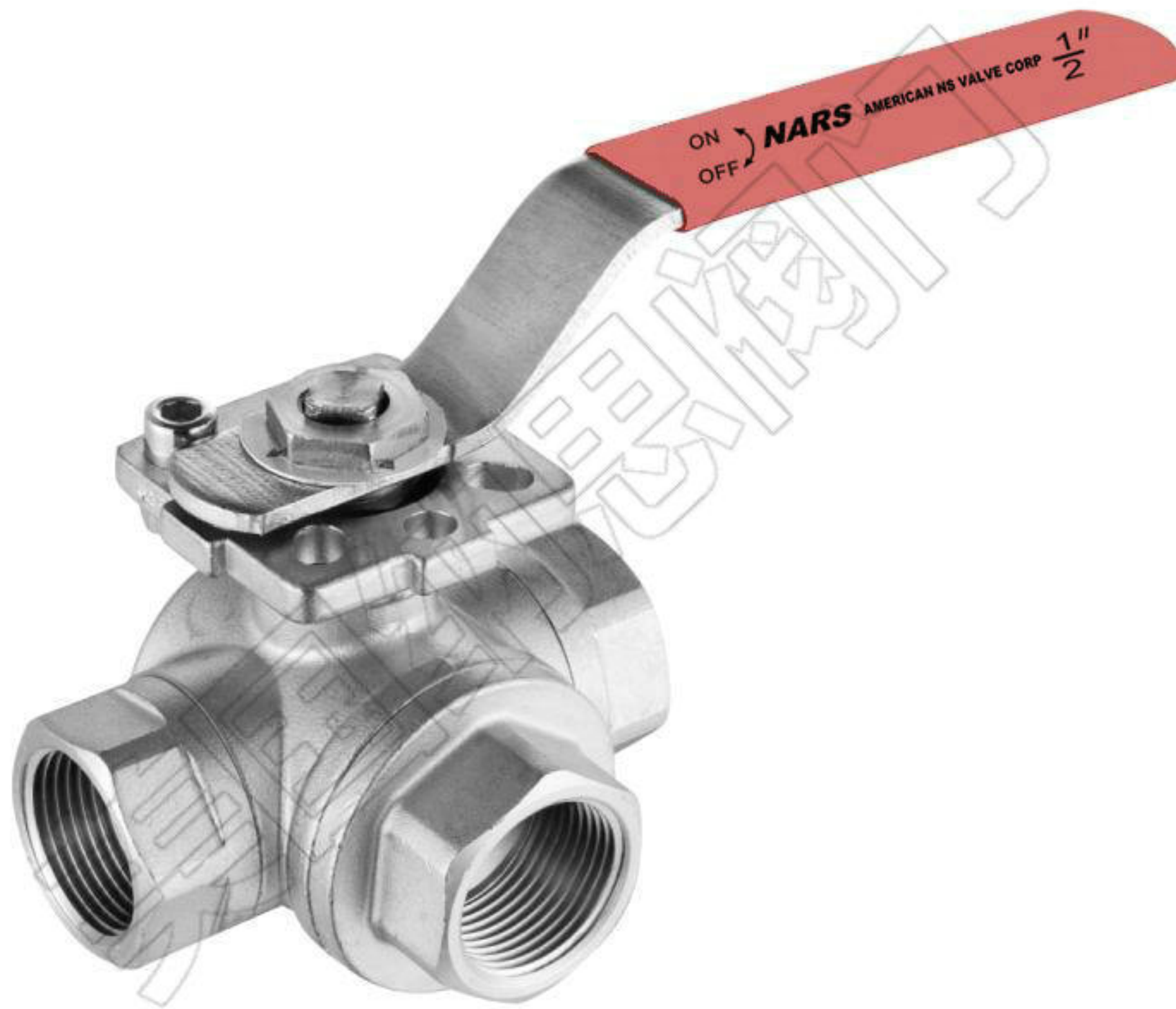
### FEATURES:

- L Port
- T Port
- Reduced Port
- Various Thread Standards Available
- Built In ISO 5211 Bracket Mount For Easy Automation

### STANDARDS:

- Design ASME B16.34
- Wall Thickness: ASME B16.34
- Pipe Thread: ASME B1.20.1, BS21
- DIN 2999/259, ISO 228/1, JIS B 0203, ISO 7/1
- Inspection & Testing: MSSSP-110, EN 12266

No.	PARTS NAME	MATERIAL		
1	Body	CF8M	CF8	WCB
2	Cap	CF8M	CF8	WCB
3	Seat	PTFE	RPTFE	
4	Ball	CF8M	CF8	
5	Cap Gasket		PTFE	
6	Thrust Washer		PTFE	
7	O-Ring		VITON(FKM)	
8	V-Ring Packing		PTFE	
9	Gland		SUS304	
10	Belleville Washer		SUS301	
11	Stop Nut		A194-B8	
12	Stop Washer		SUS304	
13	Washer		SUS304	
14	Stem Nut		SUS304	
15	Stem	SUS304	SUS316	
16	Handle		SUS304	
17	Locking Device		SUS301	
18	Handle Cover		Plastic	
19	Anti-Static Device		SUS301	



Unit:mm

DN	L	Ød	H	H1	E	B	□P	ØR	Ør	ØA1	ØA2	ISO 5211
1/4"	65	8	36	62.5	120	34	9	42	36	6	6	F03-F04
3/8"	65	8	36	62.5	120	34	9	42	36	6	6	F03-F04
1/2"	68	12	36	62.5	120	34	9	42	36	6	6	F03-F04
3/4"	75	15	39	66	120	37.5	9	42	36	6	6	F03-F04
1"	85	18	46.5	77	160	42.5	11	50	42	7	6	F04-F05
1-1/4"	110	25	55	86	160	55	11	50	42	7	6	F04-F05
1-1/2"	125	32	64.5	101.5	190	62.5	14	70	50	9	7	F05-F07
2"	145	38	70.5	107.5	190	72.5	14	70	50	9	7	F05-F07